

## CONGELATORI FREEZER

### "PROSTORE 600"

Code	Model	Ref.	Page	Version	Notes
190105	PS04F1FR7	m	2,5,6	00	1-DOOR FREEZ. 470LT,-15/-22°C, REM R407A
190488	PS04F1FR	n	3,5,6	00	1-DOOR FREEZ.470LT,-15/-22°,PROSTORE,REM
190AAE	PS04F1FRL	o	2,5,6	00	1-DR FREEZ.470LT,-15/-22°,PROST.REM-LEFT
<b>190CUM</b>	<b>PS04F1FRL</b>	<b>j</b>	<b>2,5,6</b>	<b>00</b>	<b>1-DOOR FREEZER 470LT,-15/-22°,PROST.REM-LEFT</b>
691248	PS04F1F	a	2,4,6	02	1-DOOR FREEZER 470LT,-15/-22°, PROSTORE
691312	PS04F2F	c	3,4,6	03	2-DOORS FREEZ. 470LT,-15/-22°, PROSTORE-R290
691313	PS04F1FR	d	2,5,6	03	1-DOOR FREEZ. 470LT,-15/-22°, PROSTORE,REM
691314	PS04F1FRL	i	2,5,6	09	1-DOOR FREEZ. 470LT,-15/-22°, PROSTORE,REM left
691315	PS04F1FHC	b	2,4,6	04	1-DOOR FREEZ. 470LT,-15/-22°, PROSTORE-R290
691316	PS04F1FLHC	l	2,4,6	04	1-DOOR FREEZ. 470LT,-15/-22°, PROST.R290-LFT
691337	PS04F1FM	e	2,4,7	02	1-DOOR FREEZ. 470L-15/-22°, PROST,50/60HZ,MAR
<b>691352</b>	<b>PS04F1FHC</b>	<b>p</b>	<b>2,4,6</b>	<b>00</b>	<b>1-DOOR FREEZER 470LT,-15/-22°, PROSTORE-R290</b>
<b>691353</b>	<b>PS04F1FLHC</b>	<b>z</b>	<b>2,4,6</b>	<b>00</b>	<b>1-DOOR FREEZER 470LT,-15/-22°,PROSTORE-R290-LEFT</b>
<b>691354</b>	<b>PS04F2FHC</b>	<b>q</b>	<b>3,4,6</b>	<b>00</b>	<b>2-DOOR FREEZER 470LT,-15/-22°, PROSTORE-R290</b>
<b>691369</b>	<b>PS04F1FR</b>	<b>r</b>	<b>2,5,6</b>	<b>00</b>	<b>1-DOOR FREEZER 470LT,-15/-22°,PROSTORE,REM</b>
<b>691370</b>	<b>PS04F1FRL</b>	<b>v</b>	<b>2,5,6</b>	<b>01</b>	<b>1-DOOR FREEZER 470LT,-15/-22°,PROST.REM-LEFT</b>
<b>691379</b>	<b>PS04F1FM</b>	<b>s</b>	<b>2,4,7</b>	<b>00</b>	<b>1DR FREEZ.470L-15/-22°,PROST,50/60HZ,MAR</b>
728836	APS04F1F	f	2,4,6	02	1-DOOR FREEZER 470LT,-15/-22°, PROSTORE
728837	APS04F1FR	g	2,5,6	03	1-DOOR FREEZ. 470LT,-15/-22°, PROSTORE,REM
728838	APS04F1FHC	h	2,4,6	04	1-DOOR FREEZ. 470LT,-15/-22°, PROSTORE-R290
<b>729529</b>	<b>APS04F1FR</b>	<b>t</b>	<b>2,5,6</b>	<b>00</b>	<b>1-DOOR FREEZER 470LT,-15/-22°,PROSTORE,REM</b>
<b>729534</b>	<b>APS04F1FHC</b>	<b>u</b>	<b>2,4,6</b>	<b>00</b>	<b>1-DOOR FREEZER 470LT,-15/-22°, PROSTORE-R290</b>

#### Index and pages

Full Door/Porta intera	2
Half Doors/Mezze porte	3
Cooling unit / Gruppo	4
Remote cooling unit/ gruppo remoto	5
Control panel/Pannello di controllo	6
Marine control panel/Pannello di controllo Marine	7

Rev.6

Grassetto = ultima modifica  
Bold = last change

\* Componenti a richiesta  
\* Components on demand

From Ser. Nr.3391... / Up to Ser. Nr....

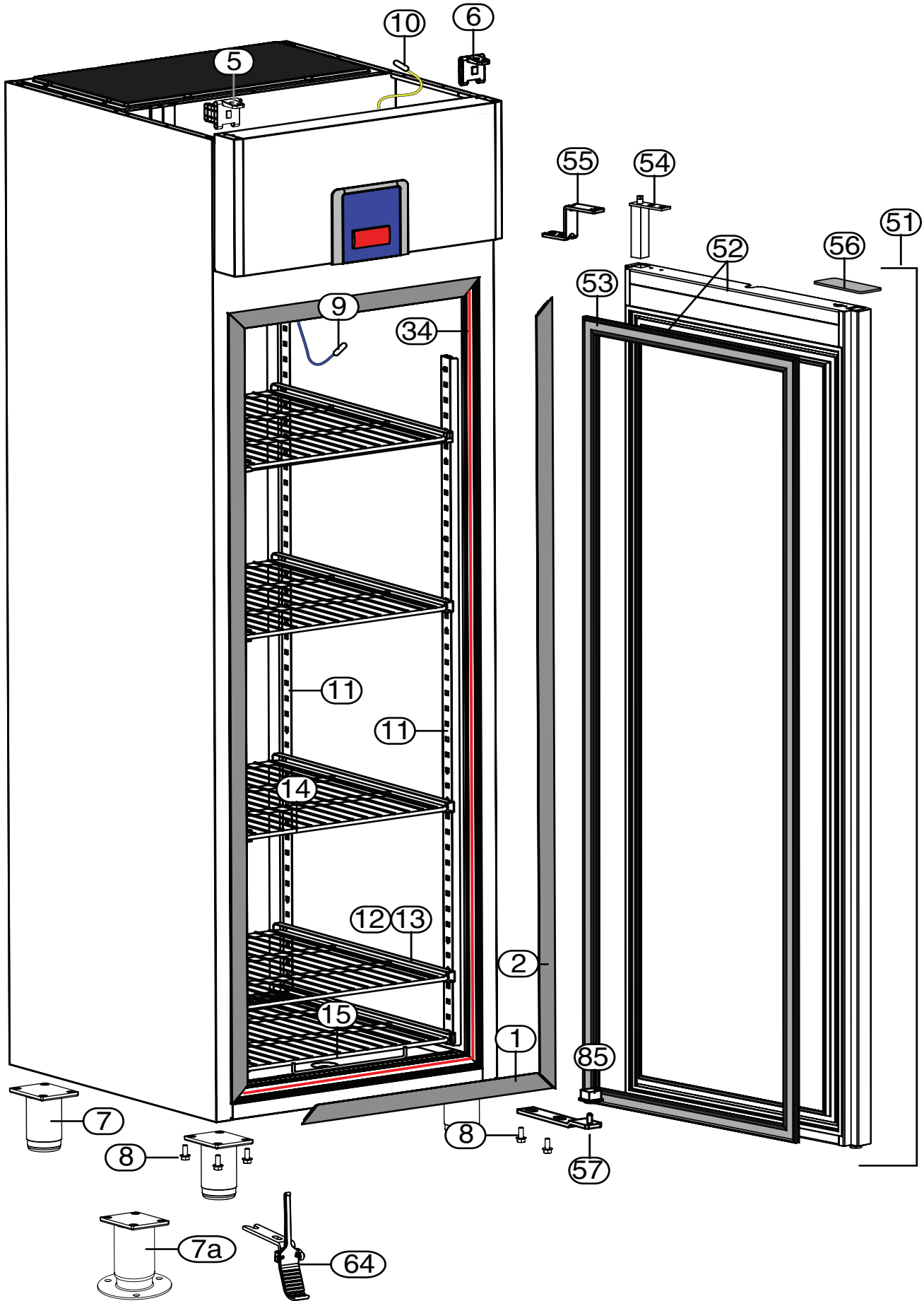
Ed. 01 Jan.-2014

Page: 1

Updated Nov- 2023

Doc. Nr.: 560153

Full door



Grassetto = ultima modifica  
 Bold = last change

**560153 armadio porta intera**

\* Componenti a richiesta  
 \* Components on demand

From Ser. Nr.3391... / Up to Ser. Nr....

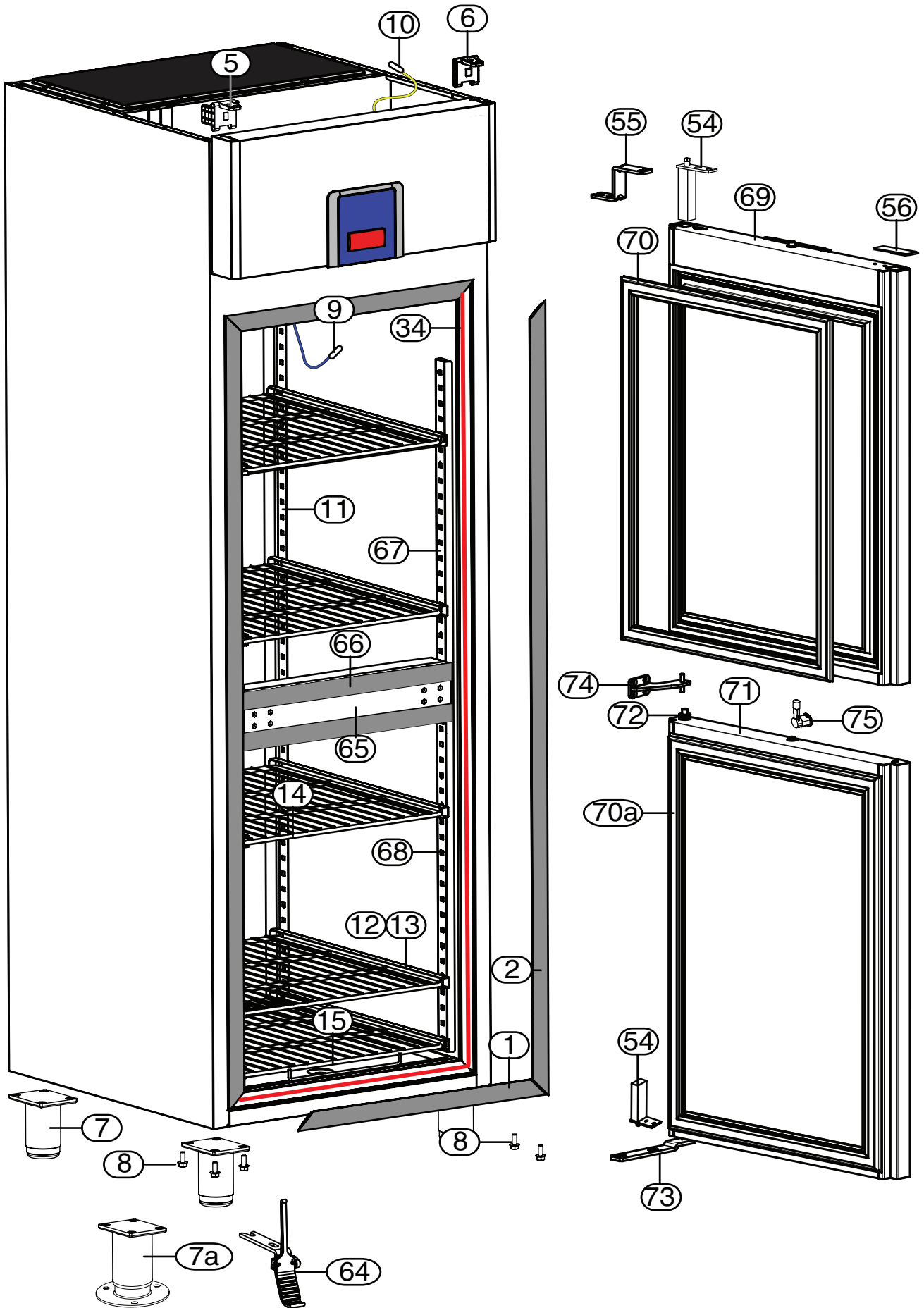
Page: 2

Updated May 2021

Ed. 01 Jan.-2014

Doc. Nr.: 560153

Half doors



Grassetto = ultima modifica  
 Bold = last change

**560153 armadio mezza porte**

\* Componenti a richiesta  
 \* Components on demand

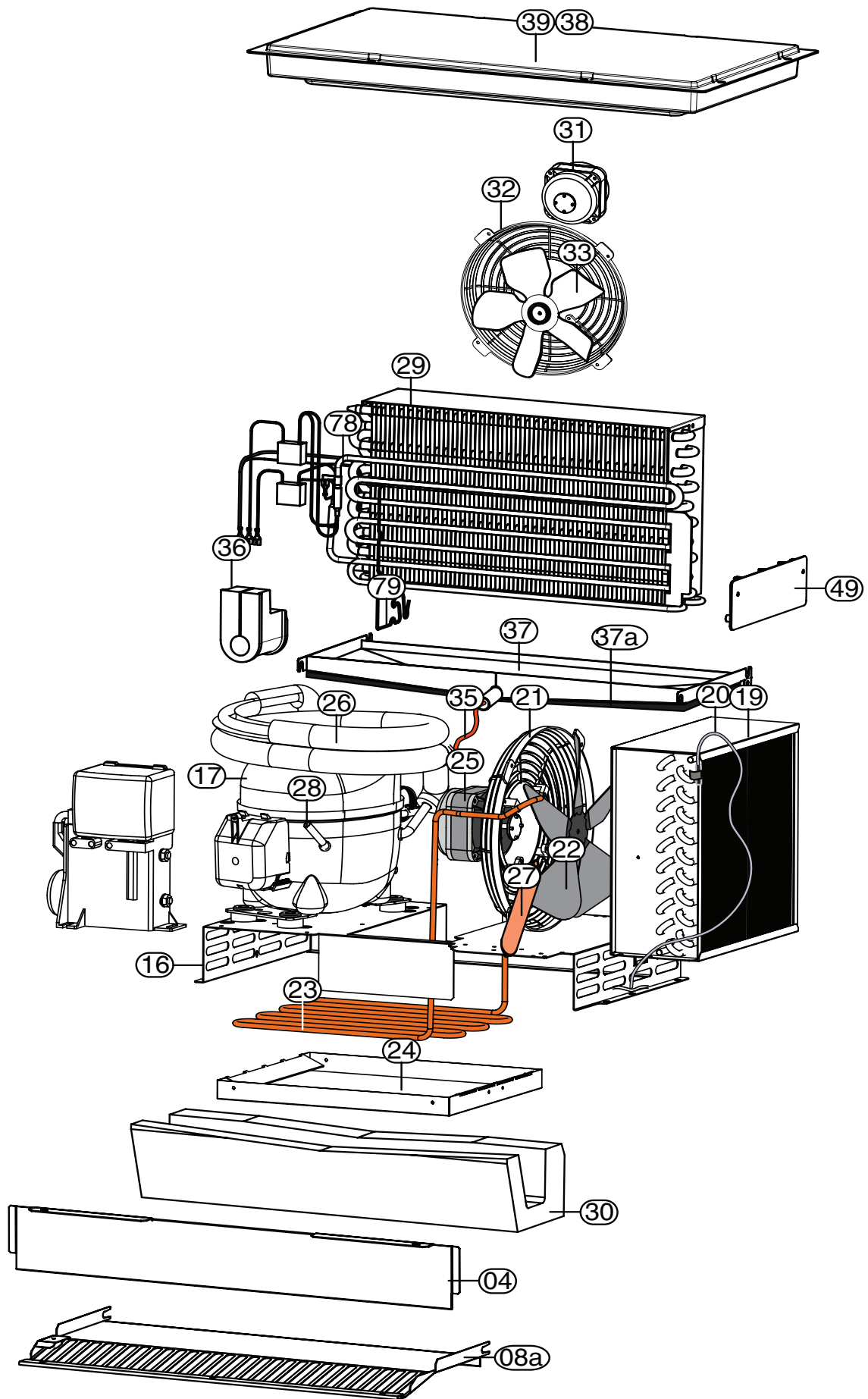
From Ser. Nr.3391... / Up to Ser. Nr....

Page: 3

Updated May 2021  
 Ed. 01 Jan.-2014

Doc. Nr.: 560153

Cooling unit



Grassetto = ultima modifica  
 Bold = last change

**560153 Cooling unit**

\* Componenti a richiesta  
 \* Components on demand

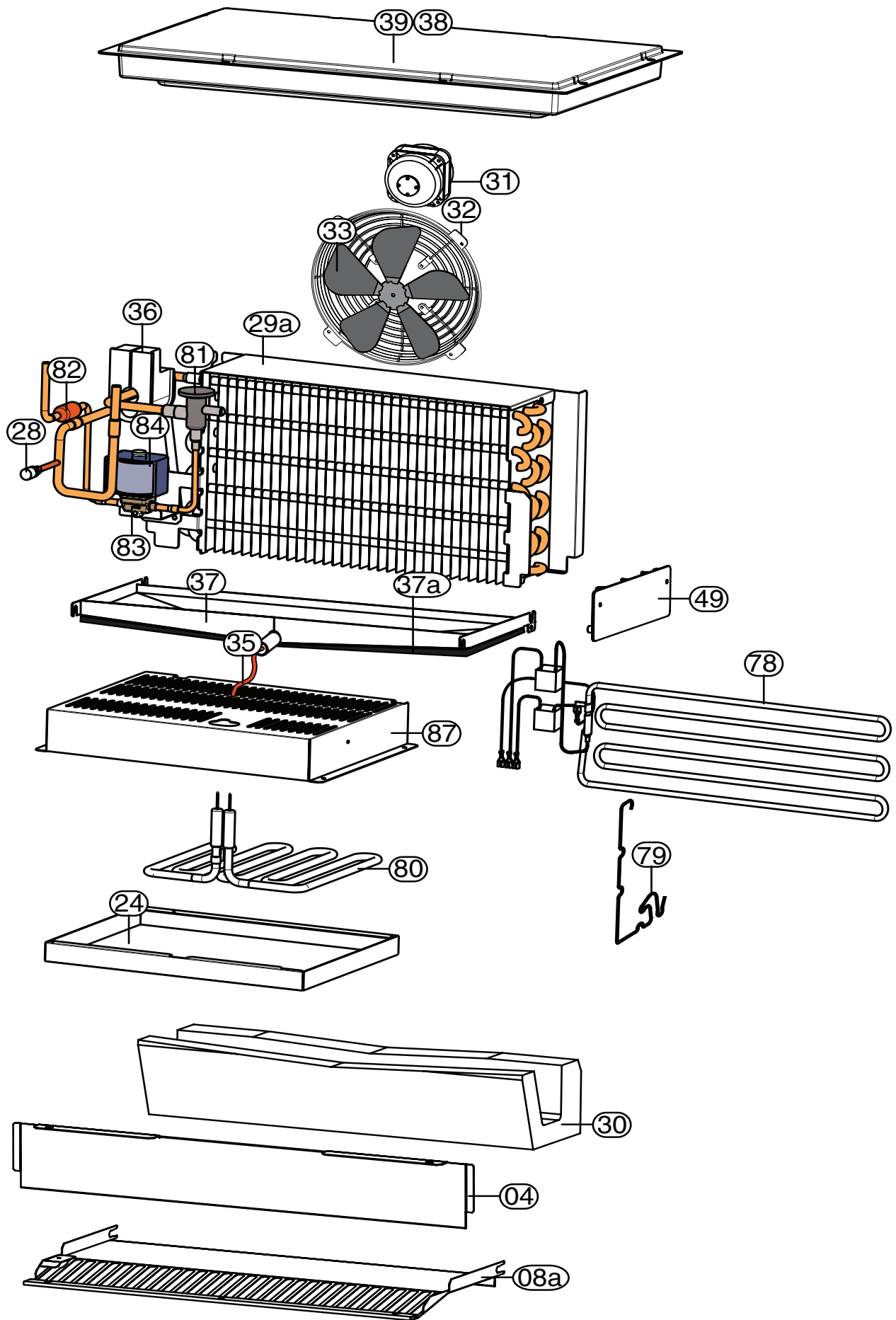
From Ser. Nr.3391... / Up to Ser. Nr....

Page: 4

Updated May 2021  
 Ed. 01 Jan.-2014

Doc. Nr.: 560153

# Remote cooling unit



Grassetto = ultima modifica  
 Bold = last change

**560153 Cooling unit**

\* Componenti a richiesta  
 \* Components on demand

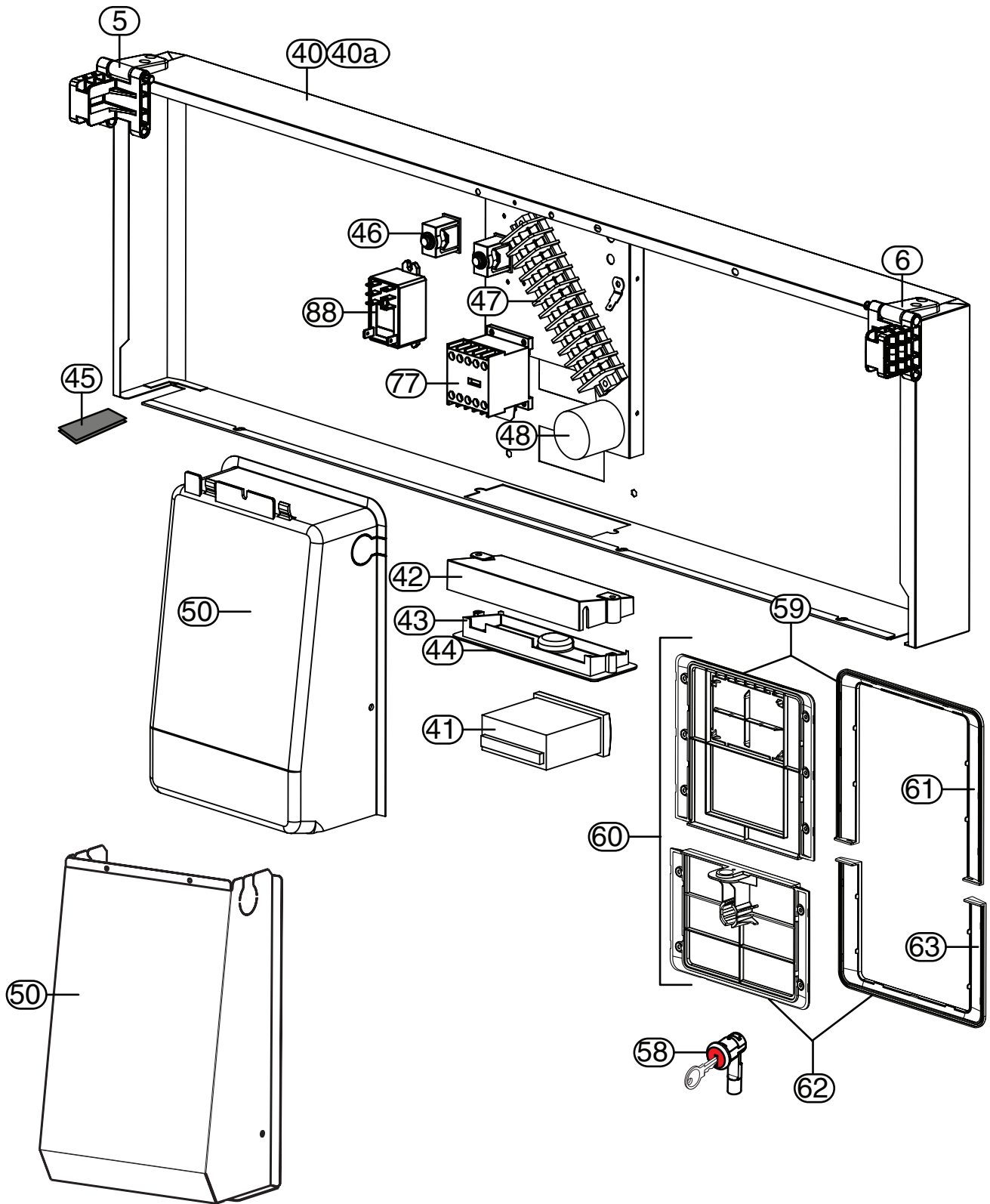
From Ser. Nr.3391... / Up to Ser. Nr....

Page: 5

Updated May 2021  
 Ed. 01 Jan.-2014

Doc. Nr.: 560153

# Control panel



Grassetto = ultima modifica  
 Bold = last change

**560153 cruscotto**

\* Componenti a richiesta  
 \* Components on demand

From Ser. Nr.3391... / Up to Ser. Nr....

Page: 6

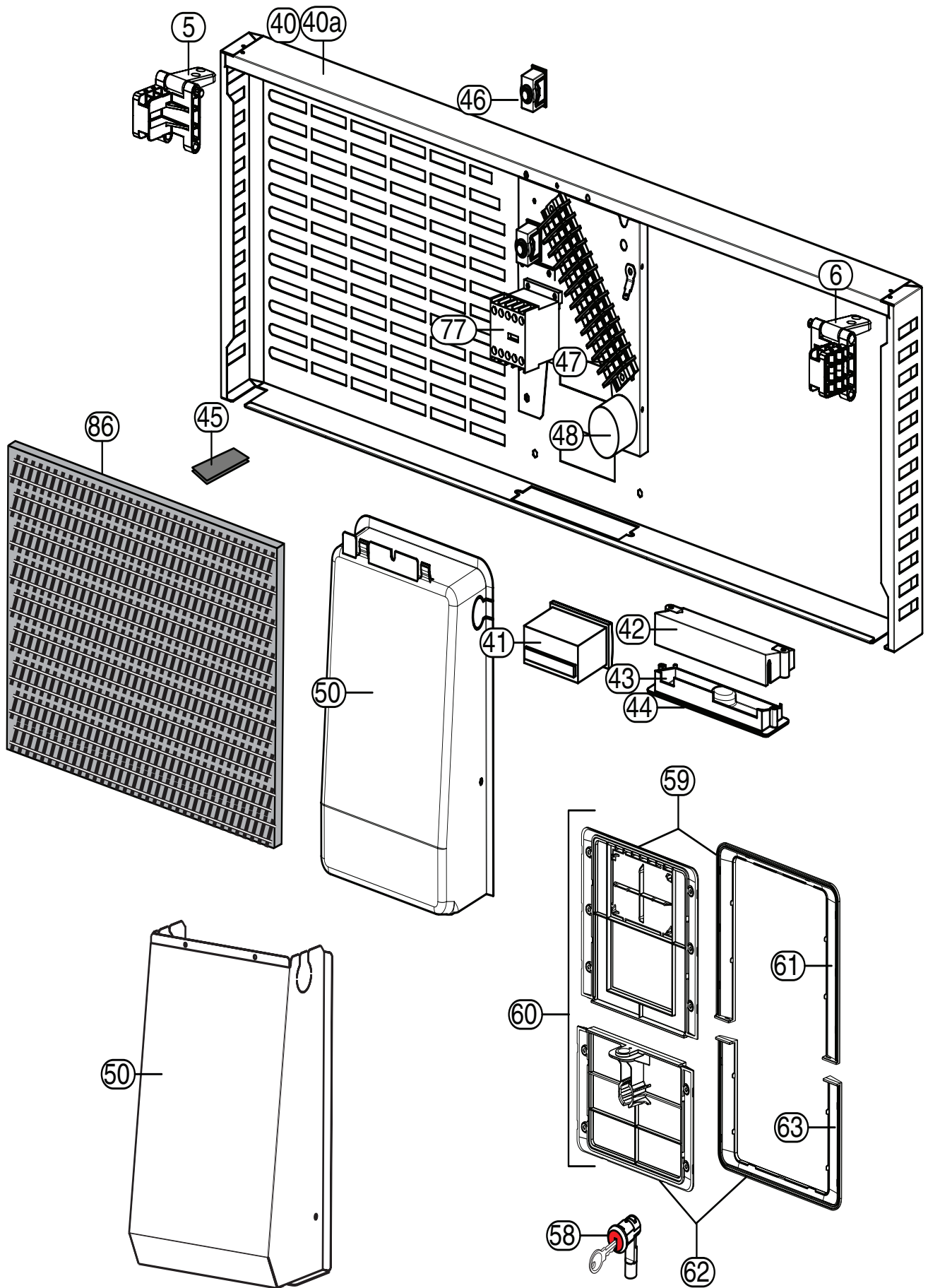
Updated May 2021

Ed. 01 Jan.-2014

Doc. Nr.: 560153



# Marine control panel



Grassetto = ultima modifica  
 Bold = last change

**560153 cruscotto marine**

\* Componenti a richiesta  
 \* Components on demand

From Ser. Nr.3391... / Up to Ser. Nr....

Page: 7

Updated May 2021

Ed. 01 Jan.-2014

Doc. Nr.: 560153

Pos	Code	Factory code	Descrizione	Description	Ref./Notes
1		832R15300	Cornice orrizzontale sup/inf	Upper/lower gasket frame	
2	094092	832R15100	Cornice dx e sx	Vertical gasket frame right /left	a,b,d,e,f,g,h,i,j,l,m,o, p,r,s,t,u,v,z
2		832R17200	Cornice dx e sx	Vertical gasket frame right /left	c,n,q
4		501R90101	Copertura frontale	Front cover	
5	093609	832R10100	Cerniera cruscotto dx	Right hinge for control panel	
6	093610	832R10200	Cerniera cruscotto sx	Left hinge for control panel	
7	093243	541R05001	Piedino	Foot	a,b,c,d,f,g,h,i,j,l,m,n, o,p,q,r,t,u,v,z
7a	094098	518R03900	Piedino Marine	Marine foot	e,s
8	093245	217555204	Vite 7 X20	Screw 7X20	
8a		501R90401	Carter interno	Internal protection	
9	092173	646R06700	Sonda cella 1500 mm 6x20	Cell probe 1500mm 6x20	
10	093371	646R10900	Sonda ambiente 2000 mm 6x20	Ambient probe 2000 mm 6x20	
11	093249	501R38201	Cremagliera	Rack support	
11	093355	501R38201	Cremagliera mar.	Rack support mar.	e,s
12	094101	501R91201	Guida sx	Left support	
12	094102	501R91201	Guida sx mar.	Left support	e,s
13	094103	501R91301	Guida dx	Right support	
13	094104	501R91301	Guida dx mar.	Right support	e,s
14	094169	514R15400	Griglia	Shelf	
<b>14</b>	<b>097018</b>	<b>514R21200</b>	<b>Griglia</b>	<b>Shelf</b>	<b>j,p,q,r,s,t,u,v,z</b>
15	094170	514R15500	Griglia di fondo	Bottom shelf	
16		501R89902	Basamento gruppo	Cooling support	
17	094109	684R09100	Compressore NT2178GK 404a	Compressor NT2178GK 404a	a,e,f
17	094171	684R09200	Compressore NT2160U R290	Compressor NT2160U R290	b,c,h,l
<b>17</b>	<b>094840</b>	<b>684R11900</b>	<b>Compressore NEU2168U R290</b>	<b>Compressor NEU2168U R290</b>	<b>p,q,u,z</b>
19	093333	830R04900	Condensatore 4R11 T	Condenser	
20	092360	646R09400	Sonda condensatore NTC	Condenser probe NTC	
21	089755	546709500	Griglia supporto ventilatore cond.	Condenser fan protection	
22	089697	511708800	Ventola 230 31 condensatore	Condenser Fan 230 31	a,e,f,s
22	093365	511R01000	Ventola 230 34 condensatore	Condenser Fan 230 34	b,c,h,l,p,q,u,z
23	095862	515R24700	Serpentina condensatore	Condenser hot pipe	a,e,f,s
23	096510	515R23300	Serpentina condensatore	Condenser hot pipe	b,c,h,l,p,q,u,z
24		833R25301	Bacinella per serpentina	Water basin conden. hot pipe	
25	094184	682R07700	Ventilatore condensatore 50/60 HZ	Condenser Fan 50/60 HZ	a,e,f,s
<b>25</b>	<b>094477</b>	<b>682R08600</b>	<b>Ventilatore condensatore ebm</b>	<b>Condenser Fan ebm</b>	<b>b,c,h,l</b>
<b>25</b>	<b>096482</b>	<b>682R12700</b>	<b>Ventilatore condensatore ebm</b>	<b>Condenser Fan ebm</b>	<b>p,q,u,z</b>
26	094481	858R13500	Scambiatore con capillare	Heat exchanger with capillary	a,e,f,s
26	094173	858R12600	Scambiatore con capillare	Heat exchanger with capillary	b,c,h,l,p,q,u,z
27	084078	805729802	Filtro deidratatore gr 40	Dehydrator filter 40 gr	
28	0A8171	A02021800	Valvola di ricarica compressore	Schraden Valve	a,e,f,s
28	085505	845713000	Valvola di ricarica compressore	Schraden Valve	b,c,h,l,p,q,u,z
29	094185	832R16501	Ass.Evaporatore 2R	Evaporator 2R assembly	a,e,f,s
29		832R16600	Ass.Evaporatore 3R	Evaporator 3R assembly	b,c,h,l,p,q,u,z
29a	094186	832R16901	Evaporatore per remoto	Evaporator for remote unit	d,g,i,j,n,o,r,t,v
30		555R07400	Coibentazione	Insulation	
31	093334	682R05300	Ventilatore evaporatore	Evaporator motor fan	a,d,e,f,g,i,m,n,o
31	093367	682R05800	Ventilatore evaporatore ebm	Evaporator motor fan ebm	b,c,h,l

Grassetto = ultima modifica  
Bold = last change

\* Componenti a richiesta  
\* Components on demand



Pos	Code	Factory code	Descrizione	Description	Ref./Notes
31	<b>096231</b>	<b>682R12600</b>	<b>Ventilatore evaporatore ebm</b>	<b>Evaporator motor fan</b>	<b>p,q,u,z up to 2152</b>
31	<b>096995</b>	<b>682R14200</b>	<b>Ventilatore evaporatore elco</b>	<b>Evaporator motor fan</b>	<b>p,q,u,z from 2162 up to 2493</b>
31	<b>096231</b>	<b>682R12600</b>	<b>Ventilatore evaporatore ebm</b>	<b>Evaporator motor fan</b>	<b>p,q,u,z from 2503</b>
31	<b>096995</b>	<b>682R14200</b>	<b>Ventilatore evaporatore elco</b>	<b>Evaporator motor fan</b>	<b>j,r,s,t,v</b>
32	089770	546709600	Protezione ventola evaporatore	Evaporator fan protection	a,d,e,f,g,i,m,n,o,r,s,t,v
32		514R14800	Protezione ventola evaporatore	Evaporator fan protection	b,c,h,l,p,q,u,z
33	093783	511R01200	Ventola 200X28	Fan 200x28	
34	094480	617R08600	Cavo riscaldante 5 w/mt	Heater cable 5w/mt	a,b,d,e,f,g,h,i,j,l,m,o,p,r,s,t,u,v,z
34	094479	617R09400	Cavo riscaldante 5 w/mt	Heater cable 5w/mt	c,n
35	093415	617R07801	Resistenza scarico condensa	Discharge heater	
36	094119	546R30100	Tamponcino uscita tubi	Gasket pipe	
37	094375	833R25201	Bacinella raccolta condensa	Water discharge basin	
37a	094374	548R09200	Isolamento bacinella	Insulation basin	
38	088499	569703700	Guarnizione copertura evap.	Gasket for evaporator cover	
39		541R07200	Copertura evaporatore	Evaporator cover	
40		880R91602	Modulo pannello comandi completo	Complete control panel	a,f
40	094370	880R90903	Modulo pannello comandi completo	Complete control panel	d,g,i,n,o
40	095866	880R94103	Modulo pannello comandi completo	Complete control panel	b,c,h,l
40		880R99302	Modulo pan. comandi completo mar.	Marine complete control panel	e
<b>40</b>		<b>883R47000</b>	<b>Modulo pannello comandi completo</b>	<b>Complete control panel</b>	<b>p,q,u,z</b>
<b>40</b>	<b>097038</b>	<b>883R46700</b>	<b>Modulo pannello comandi completo</b>	<b>Complete control panel</b>	<b>j,r,t,v</b>
<b>40</b>		<b>883R47800</b>	<b>Modulo pannello comandi completo</b>	<b>Complete control panel</b>	<b>s</b>
40a	094348	501R91801	Modulo pannello comandi	Complete control panel	a,b,c,d,f,h,i,l,m,n,o
40a		501R98201	Modulo pannello comandi marine	Complete control panel marine	e
41	093437	646R10602	Termoregolatore Ir 33	Digital control iR33	
42	093387	546R19600	Coperchio supporto scheda led	Cover led light	
43	093810	855R12701	Assieme scheda led	Led light	
44	093390	569R05900	Guarnizione supporto scheda led	Led gasket	
45	093269	541R05401	Tappo fori cerniere	Plug for hinge	
46	094127	63900500	Ferma cavo	Wiring stopper	
47	093528	639R09900	Morsettiera	Clamp	
48	092257	694R00501	Filtro antisturbo	Electrical filter	b
<b>48</b>	<b>096636</b>	<b>694R00502</b>	<b>Filtro antisturbo</b>	<b>Electrical filter</b>	<b>Not for b</b>
49		546R29600	Supporto evaporatore	Evaporator support	
50	095867	546R30800	Copertura termoregolatore	Back protection for control panel	
<b>50</b>	<b>097016</b>	<b>504R26100</b>	<b>Copertura termoregolatore</b>	<b>Back protection for control panel</b>	<b>j,p,q,r,t,u,v,z</b>
<b>51</b>	<b>096416</b>	<b>880R90205</b>	<b>Porta completa con cerniere</b>	<b>Door complete with hinge</b>	
<b>52</b>	<b>094821</b>	<b>875R24004</b>	<b>Porta con guarnizione</b>	<b>Door with gasket</b>	
53	094154	548R08500	Guarnizione porta	Door gasket	
54	082219	835704001	Cerniera superiore	Upper hinge door	
55	094182	505R15902	Staffa superiore	Upper bracket door	
56	093271	541R05301	Tappo foro cerniera	Plug door	
57	087792	800732701	Staffa inferiore	Lower bracket door	
58	093345	833R20900	Serratura porta	Lock	
59		855R10400	Ass. mascherina cruscotto apx	Template control panel apx	f,g,h,t,u

Grassetto = ultima modifica  
Bold = last change

\* Componenti a richiesta  
\* Components on demand

Pos	Code	Factory code	Descrizione	Description	Ref./Notes
59		855R10200	Ass. mascherina cruscotto	Template control panel	a,b,c,d,e,i,j,l,m,n,o,p,q,r,s,v,z
60	093385	855R11300	Ass.masch., porta e crusc. apx	Templete door and cont. pan. apx	f,g,h,t,u
60	093383	855R11101	Ass.masch., porta e crusc.	Templete door and cont. pan. elux	a,b,c,d,e,i,j,l,m,n,o,p,q,r,s,v,z
61		546R20000	Cornice cromata cruscotto elux	Crome frame template control p.	a,b,c,d,e,i,j,l,m,n,o,p,q,r,s,v,z
61		546R20100	Cornice cromata cruscotto apx	Crome frame template control p.	f,g,h,t,u
62		855R10501	Ass. mascherina porta elux	Door template elux	a,b,c,d,e,i,j,l,m,n,o,p,q,r,s,v,z
62		855R10700	Ass. mascherina porta apx	Door template elux	f,g,h,t,u
63		546R20200	Cornice cromata porta elux	Crome frame template door elux	a,b,c,d,e,i,j,l,m,n,o,p,q,r,s,v,z
63		546R20300	Cornice cromata porta apx	Crome frame template door apx	f,g,h,t,u
64	094132	833R27201	Pedale apertura porta Sx	Door pedal (left)	
64	094133	833R27102	Pedale apertura porta Dx	Door pedal (right)	
65		880R96601	Modulo Traversa	Half doors support	c,n,q
66		832R15400	Cornice traversa	Half doors frame support	c,n,q
67	093275	501R51800	Cremagliera anteriore superiore	Front rack upper support	c,n,q
68	093276	501R51600	Cremagliera anteriore inferiore	Front rack lower support	c,n,q
<b>69</b>	<b>097756</b>	<b>835R35105</b>	<b>Ass. porta superiore con guarniz.</b>	<b>Upper door with gasket</b>	<b>c,n,q</b>
70	094156	548R08700	Guarnizione mezza porta sup	Half door gasket (upper)	c,n,q
70a	094157	548R08800	Guarnizione mezza porta inf	Half door gasket (lower)	c,n,q
<b>71</b>	<b>096539</b>	<b>835R35204</b>	<b>Ass. porta inf con guarnizione</b>	<b>Upper door with gasket</b>	<b>c,n,q</b>
72	093392	546R21100	Boccole per cerniera	Bush for half door	c,n,q
73	093713	505R14200	Staffa inferiore	Lower bracket	c,n,q
74	093344	505R12400	Staffa centrale	Central bracket	c,n,q
75	093433	833R21100	Serratura mezze porte	Lock half doors	c,n,q
77	088557	648727100	Teleruttore (220-230/50 240/60)	Contactore (220-230/50 240/60)	
78	094187	856R23000	Resistenza evaporatore 410W	Evaporator heating element 410W	
79		514R16201	Molla fissaggio resistenza	Spring retaining heating element	a,d,e,f,g,i,j,m,n,o,r,s,t,v
79		514R15700	Molla fissaggio resistenza	Spring retaining heating element	b,c,h,l,p,q,u,z
80	094143		Resistenza di evaporazione 100W	Evaporation heating elem. 100W	d,g,i,j,m,n,o,r,t,v
81	087334	646741000	Valvola termostatica R404A UG3	Thermostatic valve 404A UG 3	d,g,i,n,r,t,v
81		652F00000	Valvola termostatica - R407A	Thermostatic Valve - R407A	m
81	095541	646R13900	Valvola termostatica R448A UG3	Thermostatic valve 448A UG 3	j,o
81*	089614	565717600	Isolante per valvola termostatica	Thermostatic valve insulation	d,g,i,j,m,n,o,r,t,v
82	090229	525719000	Filtro meccanico	Mechanical filter	d,g,i,j,m,n,o,r,t,v
83	090230	646742400	Elettrovalvola	Solenoid valve	d,g,i,j,m,n,o
<b>83</b>	<b>094435</b>	<b>646R10502</b>	<b>Elettrovalvola</b>	<b>Solenoid valve</b>	<b>j,r,t,v</b>
<b>84</b>	<b>088351</b>	<b>646749000</b>	<b>Bobina per valvola 220/230 50hz</b>	<b>Coil</b>	<b>d,g,i,j,m,n,o,r,t,v</b> <b>Up to 2021/30</b> <b>part of 094435</b>
85	081654	544700601	Boccola per cerniera	Bush for hinge	
86		546R29901	Filtro cruscotto	Filter for control panel	e,s
87		501R97401	Copertura baccinella remoto	Cover basin	d,g,i,j,m,n,r,t,v
88	093848	648R06300	Relè finder 66.82.8.230.001	Relè finder 66.82.8.230.001	b,c,h,l,p,q,u,z

Grassetto = ultima modifica  
Bold = last change

\* Componenti a richiesta  
\* Components on demand